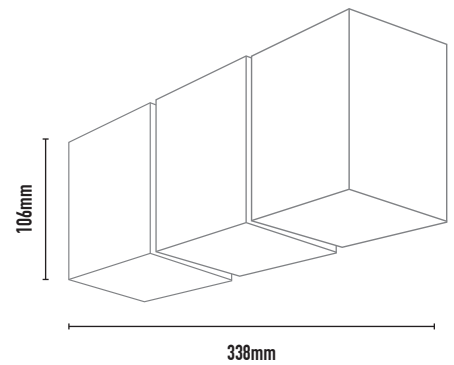
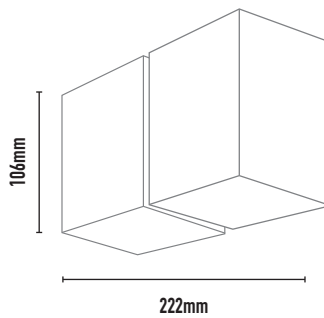
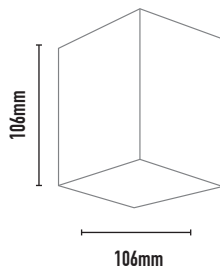


# MONDO BLOK GU10

- FEATURES:**
- Australian designed & manufactured
  - Extruded aluminium square pendants
  - Adjustable 45° tilt 359° swivel allows for maximum flexibility and directional control
  - 1500mm suspension, custom lengths available on request
  - Anodising available for inner & outer
  - Ideal for residential, hospitality and commercial applications

- COLOURS:**
- Black -2
  - White -3
  - Silver -6
  - Custom -5



CODE	WATTAGE	LAMP TYPE	DIMENSIONS
MBS11 (Uno)	1 X 5W-10W	PAR16 GU10 LED	160mm x 106mm x 106mm
MBS12 (Duo)	2 X 5W-10W	PAR16 GU10 LED	160mm x 106mm x 222mm
MBS13 (Trio)	3 X 5W-10W	PAR16 GU10 LED	160mm x 106mm x 338mm *note: other configurations available on request.